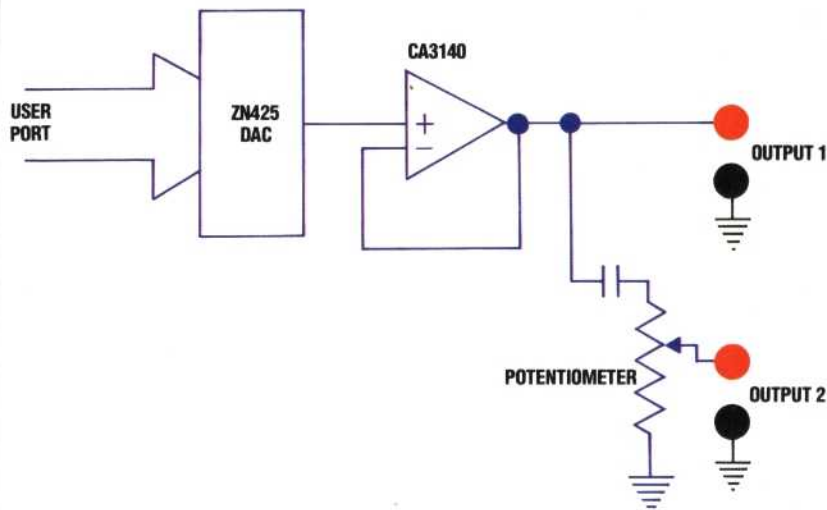




Full Circuit



As usual in this sort of construction you must be scrupulously careful about the layout details, especially the location and cleanliness of the track breaks. Check your work regularly with the multimeter, insert passive components and wire links first, use solder and the soldering iron sparingly, and pay particular attention to positioning the chips

Parts List

No	Item	Maplin No
1	ZN425 DAC*	
1	CA3140 amplifier	QH29G
1	16-pin DIL socket	BL19V
1	8-pin DIL socket	BL17T
1	220nF capacitor	WW83E
1	0.47uF capacitor	BX80B
1	10K rotary potentiometer	FW02C
2	Red 4mm sockets	HF73Q
2	Black 4mm sockets	HF69A
2	Red 4mm plugs	HF66W
2	Black 4mm plugs	HF62S
1	12-way minicon plug	YW19V
1	12-way minicon socket	YW30H
	4in 5-way ribbon cable**	
	Bare tinned wire**	
1	50 hole x 24 strip veroboard	FL07H
1	80 x 61 x 41mm box	LH20W

*This component is not available from Maplin. However, most electrical component shops should stock it. Otherwise you can obtain one by mail order from major component suppliers.
 **These components you should already have, left over from previous projects.

